

# MODEL 40-110

## SPECIFICATIONS

**TYPE OF CIRCUIT:** Model 40-110 is a four tube battery operated superheterodyne receiver with electric push-button tuning. In addition other features of design are: Low current drain tubes, new high sound output speaker, specially designed tone chamber, two tuning ranges, automatic volume control, and pentode audio output.

The receiver is equipped with six electric tuning push-buttons or automatically selecting stations. Five of the push-buttons are used for broadcast stations and one for selecting dial tuning. The procedure for adjusting the push-buttons will be found in the instructions supplied with each set.

**TUNING RANGES:** 540 to 1630 K. C. 5.4 to 18.0 M. C.

**INTERMEDIATE FREQUENCY:** 455 K. C.

**PHILCO TUBES USED:** One 1A7G, Converter; one 1N5G, I. F. Amplifier; one 1A5G, 2nd Detector, A. V. C. 1st Audio; one 1A5G, Audio Output.

**PHILCO BATTERIES:** One Type P-60D-11L.

**BATTERY DRAIN:** "A" 200 M. A. "B" 7.2 M. A.

**CABINET DIMENSIONS:** Height Width Depth  
40-110K ..... 37 1/2 26 3/4 11 1/2  
40-110B ..... 17 1/2 17 1/2 9 1/2

**AERIAL AND GROUND:** To obtain maximum operating performance with this model, Philco Farm Radio Aerial, Part No. 40-6383, is recommended and a good ground source such as a water pipe.

**ALIGNING PROCEDURE** for this model will be found on page 40.

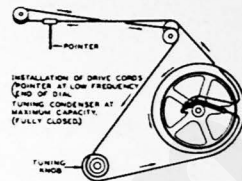
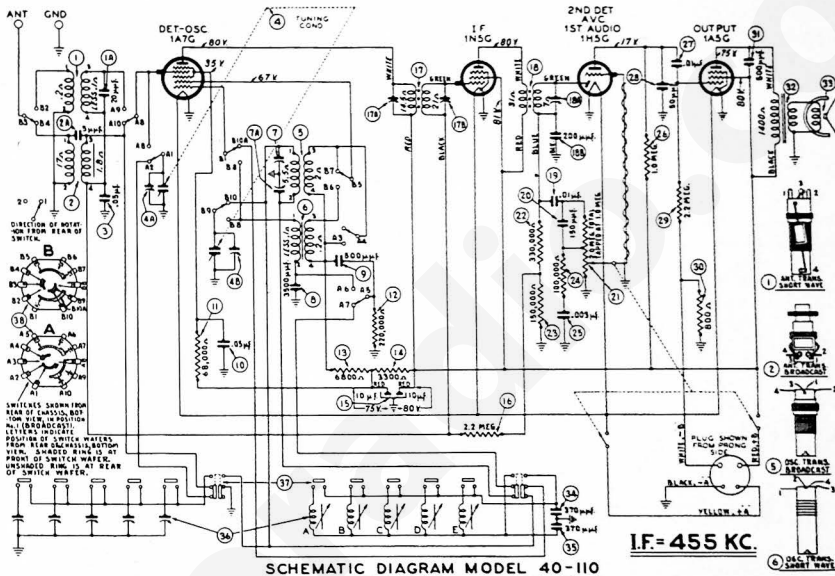
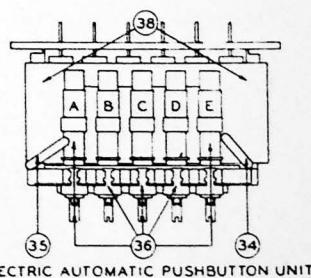


FIG. 1.  
INSTALLATION OF  
DRIVE CORD.



SCHEMATIC DIAGRAM MODEL 40-110

SCHE. No.	DESCRIPTION	PART No.	SCHE. No.	DESCRIPTION	PART No.
1	Ant. Trans. Assy. (Short Wave).....	32-3289	22	Resistor (330,000 ohms, 1/2 watt).....	33-433339
1A	Mica Condenser (20 mfd.).....	61-0039	23	Resistor (150,000 ohms, 1/2 watt).....	33-418339
2	Ant. Trans. Assy. (Broadcast).....	32-3279	24	Resistor (100,000 ohms, 1/2 watt).....	33-410339
2A	Mica Condenser (8 mfd.).....	30-1097	25	Tubular Condenser (.003 mfd.).....	30-4489
3	Tubular Condenser (.05 mfd.).....	30-4519	26	Resistor (1.0 meg., 1/2 watt).....	33-510339
4	Tuning Condenser Assembly.....	31-2404	27	Tubular Condenser (.01 mfd.).....	30-4872
5	Exc. Transformer (Broadcast).....	32-3287	28	Mica Condenser (50 mfd.).....	30-1029
6	Exc. Transformer (Short Wave).....	32-3288	29	Resistor (2.2 meg., 1/2 watt).....	33-522339
7	Compensator.....	31-6321	30	Resistor (800 ohms, 1/2 watt).....	33-180324
8	Mica Condenser (3500 mfd.).....	30-1094	31	Mica Condenser (500 mfd.).....	30-1114
9	Mica Condenser (500 mfd.).....	30-1114	32	Output Transformer.....	32-8064
10	Tubular Condenser (.05 mfd.).....	30-4444	33	Cone and Voice Coil Assembly (Speaker Part No. 34-1410-1).....	34-4093
11	Resistor (68,000 ohms, 1/2 watt).....	33-366339	34	Silver Mica Condenser (370 mfd.).....	30-1110
12	Resistor (220,000 ohms, 1/2 watt).....	33-423339	35	Silver Mica Condenser (370 mfd.).....	30-1110
13	Resistor (6800 ohms, 1/2 watt).....	33-268339	36	Coil-Padder Strip and Brk. Assembly.....	32-3042
14	Resistor (3300 ohms, 1/2 watt).....	33-233339	36A	Coil No. 1 (840-1030 K. C.).....	32-3042
15	Elec. Condenser (10-10 mfd., 180 V.).....	30-2408	36B	Coil No. 2 (650-1100 K. C.).....	32-3042
16	Resistor (2.2 meg., 1/2 watt).....	33-522339	36C	Coil No. 3 (650-1100 K. C.).....	32-3042
17	1st I. F. Transformer Assembly.....	32-3198	36D	Coil No. 4 (740-1240 K. C.).....	32-3041
18	2nd I. F. Transformer Assembly.....	32-3259	36E	Coil No. 5 (1160-1600 K. C.).....	42-1927
19	Tubular Condenser (.01 mfd.).....	30-4572	37	Push-Button Switch.....	42-1927
20	Mica Condenser (180 mfd.).....	30-1033	38	Wave Switch.....	42-1514
21	Volume Control (2 meg.).....	33-5326			



ELECTRIC AUTOMATIC PUSH-BUTTON UNIT

FIG. 2.

### MISCELLANEOUS PARTS

SCHE. No.	DESCRIPTION	PART No.
	Bezel (Dial).....	54-1483
	Bezel (Push-Buttons).....	54-1458
	Cabinet.....	103938
	Clip (Coil Mounting).....	28-6002
	Dial.....	27-5539
	Dial Tab.....	27-5824
	Drive Cord Assembly.....	31-2408
	Knob Ass'y. (Vol., Tuning, Wave Switch).....	27-4329
	Knob Assembly (Push-Buttons).....	27-4424
	Pointer.....	54-1464
	Speaker.....	34-1410
	Spring (Drive Cord Assembly).....	28-8913
	Spring (Flag Assembly Mounting).....	28-8949
	Spring Locking, Flag Drive and Flag Assembly Mounting).....	28-8498
	Socket (6 prong).....	27-4006
	Socket (7 prong).....	27-4007
	Socket (7 prong, type 1A7G tube).....	27-4009
	Socket (Speaker).....	27-0115
	Screw (Push-Button Bezel Mounting).....	W-1324P2
	Screw (Bezel Mounting).....	W-1325P2
	Tab Kit.....	40-647
	Tuning shaft Assembly.....	31-2395

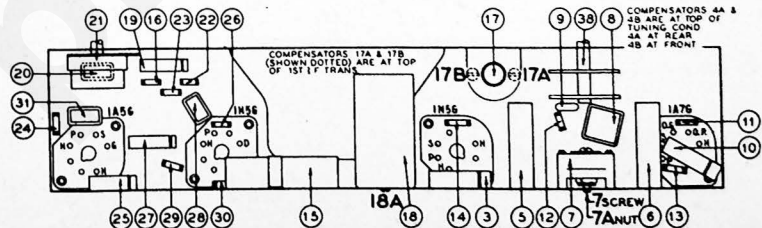


FIG. 3.